



**HAARSLEV™**

Processing Technology

# **VIBRATING SCREEN**

Product brochure



**HAARSLEV™**  
Processing Technology

# VIBRATING SCREEN



**The Haarslev Vibrating Screen is designed for removing of liquid from cooked fish and meat.**

## **MAIN ADVANTAGES**

- Gentle handling of product
- Efficient separation of liquid from solids
- Enables optimum dewatering in screw press
- Compact design
- Low installation cost
- Low maintenance cost

## **DESIGN**

The Vibrating Screen is designed for optimum straining of cooked fish or meat prior to twin screw press. It consists of a screen unit mounted inside a stainless steel housing. The screen plate is stretched over a steel frame, mounted on four brackets with rubber buffers, which reduces external vibration to a minimum and is kept in place by means of adjustable spring loaded bolts on the sides.

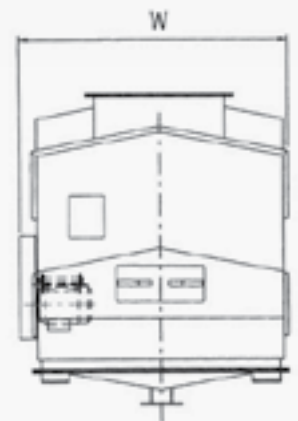
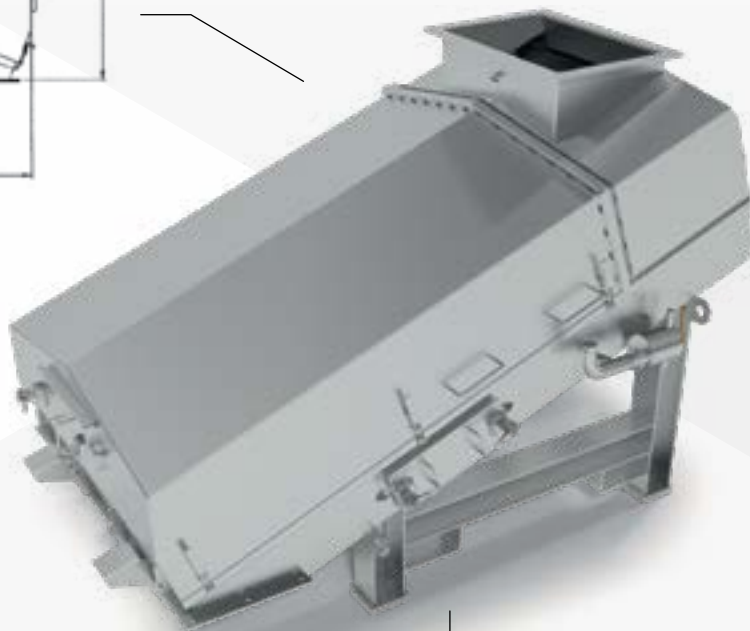
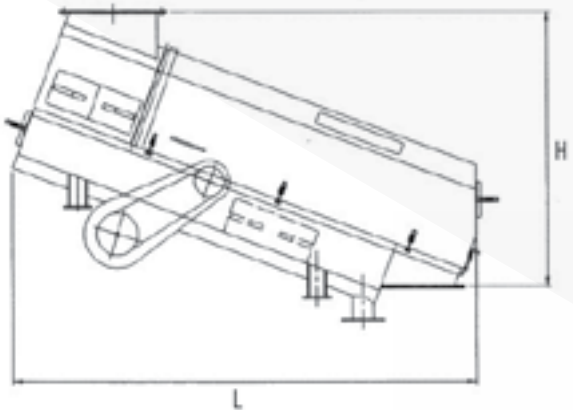
An eccentric shaft applies the vibration action on the screen unit.

The housing consist of two parts of which the top section can be removed for maintenance access. Inspection lids on both top and side of upper section.

The housing has flanged inlet and outlet and is equipped with four brackets for mounting on a steel support, The bottom section is V-shaped with outlet chute for liquid fraction.

**PERFORMANCE**

Rated capacity for Vibrating Screen  
66,000 - 110,000 lbs/h of cooked fish or meat.



**OPTIONS**  
Different perforation of screen plates, depending on type of raw material and other characteristics. Capacity and vibration can be adjusted by variable speed drive system.

**TECHNICAL SPECIFICATIONS**

VIBRATING SCREEN	CAPACITY (lbs/h)	DIMENSIONS (inch)			WEIGHT (lbs)
		Length (L)	Height (H)	Width (W)	
1020	66,000	98	57	57	1488
1230	110,000	137	72	70	3197

We reserve the right to alter the specifications at any time without prior notice.



# HAARSLEV™

Processing Technology



## MASTER YOUR PROCESS

### US OFFICE

Haarslev Inc.  
9700 NW Conant Avenue  
Kansas City, MO 64153 - USA  
Telephone: +1 816 799 0808  
Email: [info-usa@haarslev.com](mailto:info-usa@haarslev.com)  
[www.haarslev.com](http://www.haarslev.com)

### GLOBAL PRESENCE - LOCAL EXPERIENCE

Please contact us or visit our website  
to locate the closest sales office.