



HAARSLEV™

Processing Technology

CONTINUOUS HYDROLYSER

Product brochure



HAARSLEV™
Processing Technology

CONTINUOUS HYDROLYSER

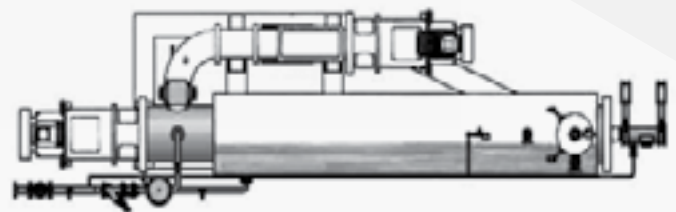
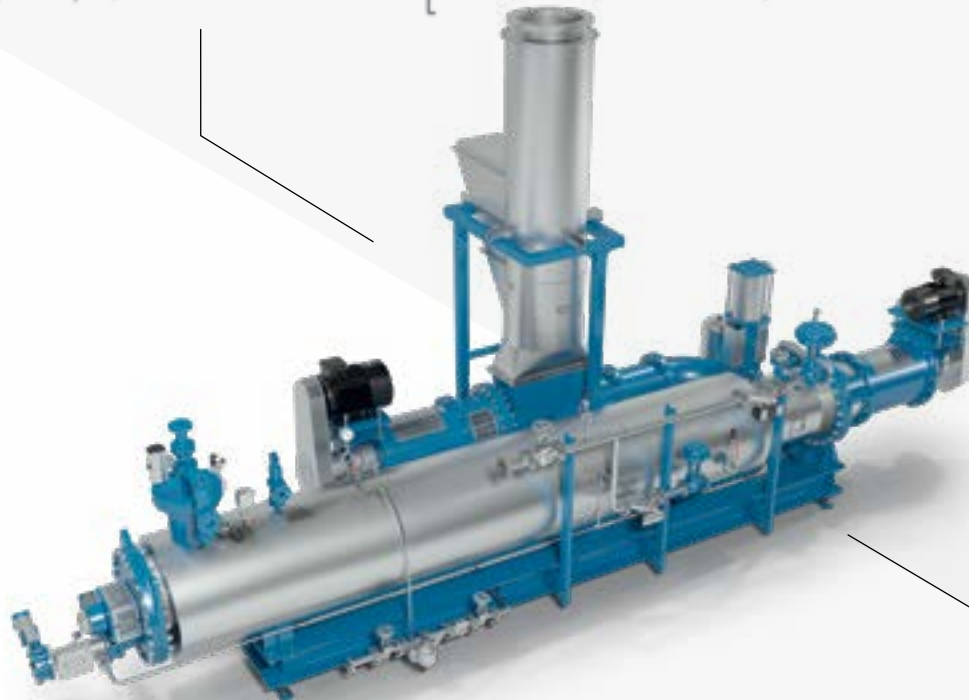
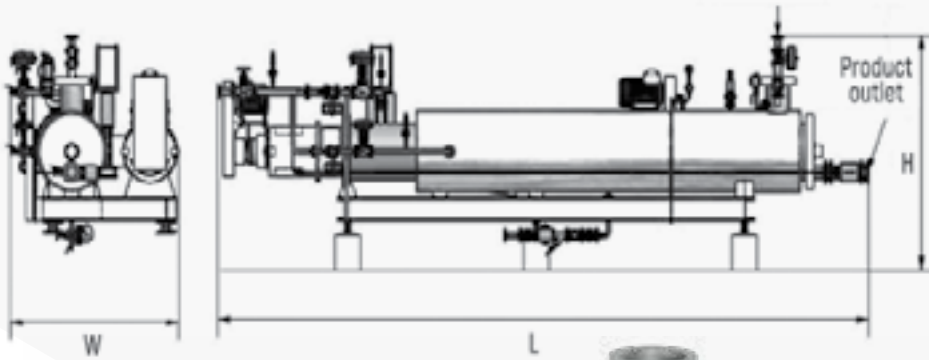


The Haarslev series of continuous hydrolysers are the most advanced and easy to operate units available. The hydrolysers are specifically designed for the processing of feathers and hog hair. When engineering the CFH Hydrolyser we draw on many years of experience from the rendering industry. The result is a highly reliable and energy efficient hydrolyser.

These features combined with our expert technical services and spare parts make the Continuous Hydrolyser from Haarslev Industries the best choice for your rendering plant.

MAIN FEATURES

- Continuous automated operation.
- Special main shaft designed to ensure efficient and uniform hydrolysis.
- Safeguards against plug feed loss.



ADVANTAGES

- Low steam consumption.
- Supplied as one complete unit incl. all necessary instruments and valves.

TECHNICAL SPECIFICATIONS*

TYPE	CAPACITY** (lb/h)	DIMENSIONS (inch)			WEIGHT (lb)	POWER, FEEDER (hp)	POWER, HYDROLISER (hp)
		Lenght (L)	Height (H)	Width (W)			
CFH-50	11,000	364	104	102	33,000	50	25
CFH-75	17,000	404	126	104	35,000	60	30
CFH-120	26,000	431	136	118	40,000	75	40

*] All statements of dimensions are approximate.

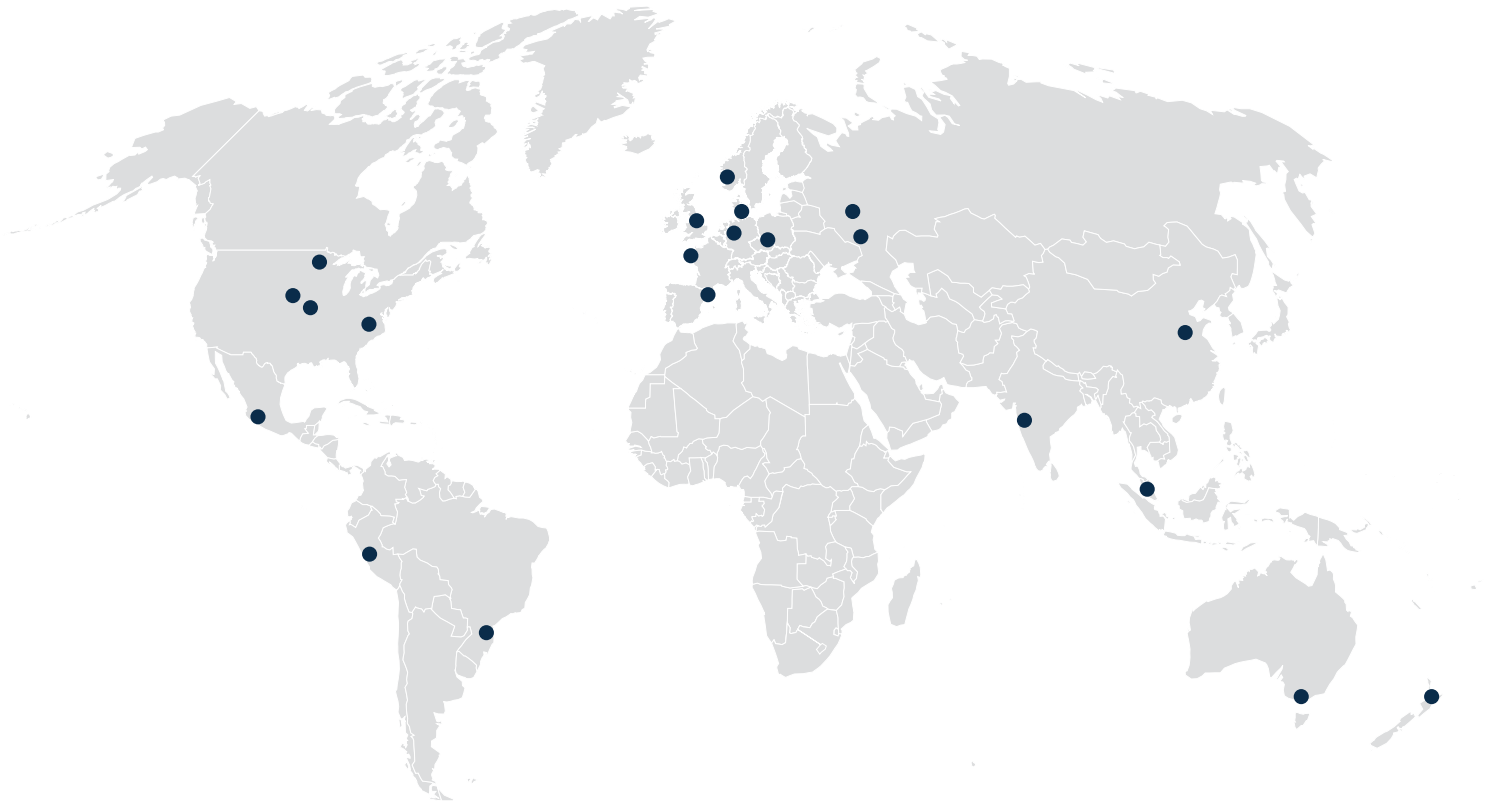
**] Capacity at 70% moisture.

We reserve the right to alter the specifications at any time without prior notice.



HAARSLEV™

Processing Technology



MASTER YOUR PROCESS

US OFFICE

Haarslev Inc.
9700 NW Conant Avenue
Kansas City, MO 64153 - USA
Telephone: +1 816 799 0808
Email: info-usa@haarslev.com
www.haarslev.com

GLOBAL PRESENCE - LOCAL EXPERIENCE

Please contact us or visit our website
to locate the closest sales office.